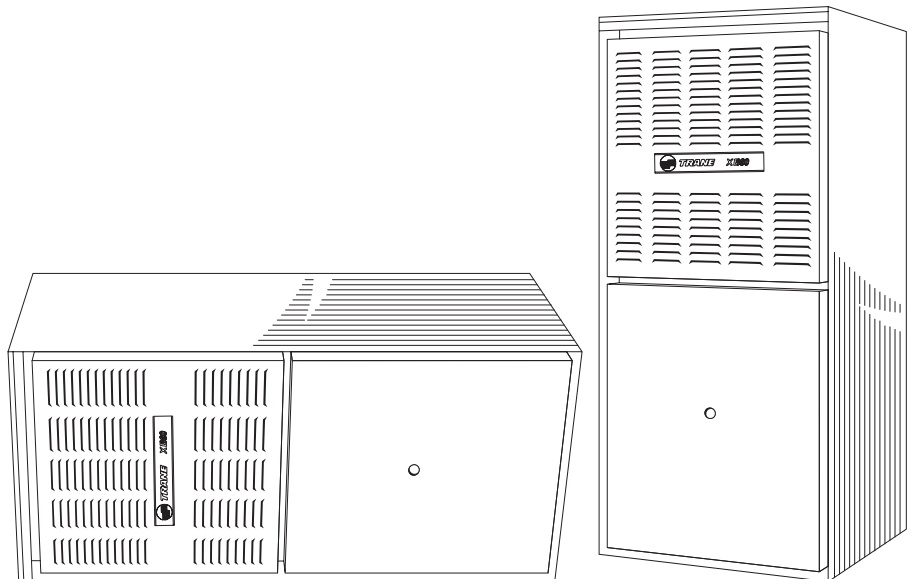


Upflow/Horizontal Condensing, Gas-Fired Furnace

Silver SI

AUC1B040A9241A, AUC1B060A9361A
AUC1B080A9421A, AUC1C100A9481A
AUC1D100A9601A, AUC1D120A9601A

Single-Stage Fan Assisted
Combustion System



General Features

NATURAL GAS MODELS

Central Heating furnace designs are certified by the American Gas Association for both natural and L.P. gas. Limit setting and rating data were established and approved under standard rating conditions using American National Standards Institute standards.

SAFE OPERATION

The Integrated System Control has solid state devices, which continuously monitor for presence of flame, when the system is in the heating mode of operation. Dual solenoid combination gas valve and regulator provide extra safety.

QUICK HEATING

Durable, cycle tested, heavy gauge **aluminized steel heat exchanger** quickly transfers heat to provide warm conditioned air to the structure. **Low energy power vent blower**, to increase efficiency and provide a positive discharge of gas fumes to the outside.

BURNERS

Multiport Inshot burners will give years of quiet and efficient service. All models can be converted to **L.P. gas** without changing burners.

INTEGRATED SYSTEM CONTROL

Exclusively designed operational program provides total control of furnace limit sensors, blowers, gas valve, flame control and includes self diagnostics for ease of service. Also contains connection points for E.A.C./humidifier.

AIR DELIVERY

The high efficiency 4 speed, direct drive blower motor, has sufficient airflow for most heating and cooling requirements, will switch from heating to cooling speeds on demand from room thermostat. The blower door safety switch will prevent or terminate furnace operation when the blower door is removed.

STYLING

Heavy gauge steel and “wrap-around” cabinet construction is used in the cabinet with baked-on enamel finish for strength and beauty. The heat exchanger section of the cabinet is completely lined with foil faced fiberglass insulation. This results in quiet and efficient operation due to the excellent acoustical and insulating qualities of fiberglass. Built-in bottom pan and alternate bottom, left or right side return air connection provision.

FEATURES AND GENERAL OPERATION

The Silver SI High Efficiency Gas Furnaces employ a Hot Surface Ignition system, which eliminates the waste of a constant burning pilot. The integrated system control lights the main burners upon a demand for heat from the room thermostat. Complete front service access.

- a. Low energy power venter
- b. Vent proving pressure switch.

Contents

| | |
|------------------------------|-----------|
| Feature Summary | 2 |
| Features and Benefits | 4 |
| Standard Equipment | |
| Optional Equipment | |
| General Data | 5 |
| AUC1B040A9241A | |
| AUC1B060A9361A | |
| AUC1B080A9421A | |
| AUC1C100A9481A | |
| AUC1D100A9601A | |
| AUCAD120A9601A | |
| Performance Data | 7 |
| Electrical Data | 8 |
| Field Wiring | 10 |
| Dimensions | 11 |

Features and Benefits

SILVER SI STANDARD EQUIPMENT

- Power supply 115/1/60
- Upflow convertible to horizontal left
- **Type 29-4C™** stainless steel secondary heat exchanger
- Direct drive, 4-speed motor
- Silicon Nitride hot surface igniter with adaptive heat up
- Accessory hook-up capability-Hum & EAC
- Quiet induced draft blower
- Blower door safety switch
- Dual solenoid combination gas valve & regulator
- PVC venting - 1 Pipe
- Left/right gas connection
- Integrated solid state control with self-diagnostics
- Selectable cooling fan off delay eliminates need for BAY24X045 time delay relay
- 24 volt fuse
- Manual reset burner box limit
- **Optional extended warranties**

SILVER SI OPTIONAL EQUIPMENT

| | |
|--|--------------------|
| Thermostat, Electronic, Non-programmable 1 Heating/1 Cool..... | ACONT200AN11AA [] |
| Thermostat, Electronic Programmable 1-Stage Heating/1-Stage Cooling | ACONT800AS11AA [] |
| Propane Conversion Kit..... | BAYLPKT210A [] |
| Electronic Air Filter, "Perfect Fit" High Efficiency (17-1/2" Wide Gas Furnace)..... | TFM175A9FR0 [] |
| Electronic Air Filter, "Perfect Fit" High Efficiency (21" Wide Gas Furnace)..... | TFM210A9FR0 [] |
| Electronic Air Filter, "Perfect Fit" High Efficiency (24-1/2" Wide Gas Furnace)..... | TFM245A9FR0 [] |
| Electronic Air Filter, "Perfect Fit" Standard Efficiency (17-1/2" Wide Gas Furnace)..... | TFP175A9FR0 [] |
| Electronic Air Filter, "Perfect Fit" Standard Efficiency (21" Wide Gas Furnace)..... | TFP210A9FR0 [] |
| Electronic Air Filter, "Perfect Fit" Standard Efficiency (24-1/2" Wide Gas Furnace)..... | TFP245A9FR0 [] |
| Coil Enclosure (17-1/2" Wide Cabinets) | BAYCLE17A1722A [] |
| Coil Enclosure (21" Wide Cabinets) | BAYCLE21A2130A [] |
| Coil Enclosure (24-1/2" Wide Cabinets) | BAYCLE24A2430A [] |
| Side Filter Rack | BAYFLTR200 [] |
| High Altitude Switch..... | BAYHALT225 [] |
| High Altitude Switch..... | BAYHALT226 [] |
| High Altitude Switch..... | BAYHALT228 [] |
| High Altitude Switch..... | BAYHALT240 [] |
| Filter Kit Horizontal conversion TUC040,060,080C | BAYFLTR203 [] |
| Filter Kit Horizontal conversion TUC100X948B | BAYFLTR204 [] |
| Filter Kit Horizontal conversion TUC100C960, TUC120C | BAYFLTR205 [] |
| Twining Kit | BAYTWIN400A [] |
| Wall Mount Flange-3" | BAY96X147 [] |
| Wall Mount Flange-2" | BAY96X148 [] |
| Horizontal Vent Cap (Noryl) | BAY96X146 [] |

General Data

PRODUCT SPECIFICATIONS ①

| MODEL | AUC1B040A9241A | AUC1B060A9361A | AUC1B080A9421A |
|-----------------------------------|---------------------------|---------------------------|---------------------------|
| TYPE | Upflow / Horizontal | Upflow / Horizontal | Upflow / Horizontal |
| RATINGS ② | | | |
| Input BTUH | 40,000 | 60,000 | 80,000 |
| Capacity BTUH (ICS) ③ | 37,000 | 56,000 | 74,000 |
| AFUE | 92.0 | 92.0 | 92.0 |
| Temp. rise (Min.-Max.) °F. | 30 - 60 | 30 - 60 | 35 - 65 |
| BLOWER DRIVE | DIRECT | DIRECT | DIRECT |
| Diameter - Width (In.) | 9 x 7 | 10 x 7 | 10 x 8 |
| No. Used | 1 | 1 | 1 |
| Speeds (No.) | 4 | 4 | 4 |
| CFM vs. in. w.g. | See Fan Performance Table | See Fan Performance Table | See Fan Performance Table |
| Motor HP | 1/5 | 1/3 | 1/3 |
| R.P.M. | 1075 | 1075 | 1075 |
| Volts/Ph/Hz | 115/1/60 | 115/1/60 | 115/1/60 |
| COMBUSTION FAN - Type | Centrifugal | Centrifugal | Centrifugal |
| Drive - No. Speeds | Direct - 1 | Direct - 1 | Direct - 1 |
| Motor HP - RPM | 1/55 - 3000 | 1/55 - 3000 | 1/25 - 3200 |
| Volts/Ph/Hz | 115/1/60 | 115/1/60 | 115/1/60 |
| FLA | 1.0 | 1.0 | 1.35 |
| FILTER — Furnished? | No | No | No |
| Type Recommended | High Velocity | High Velocity | High Velocity |
| Hi Vel. (No.-Size-Thk.) | 1 - 17x25 - 1in. | 1 - 17x25 - 1in. | 1 - 17x25 - 1in. |
| VENT — Size (in.) | 2 Round | 2 Round | 2 Round |
| HEAT EXCHANGER | | | |
| Type-Fired | Aluminized Steel - Type I | Aluminized Steel - Type I | Aluminized Steel - Type I |
| -Unfired | | | |
| Gauge (Fired) | 20 | 20 | 20 |
| ORIFICES — Main | | | |
| Nat. Gas. Qty. — Drill Size | 2 — 45 | 3 — 45 | 4 — 45 |
| L.P. Gas Qty. — Drill Size | 2 — 56 | 3 — 56 | 4 — 56 |
| GAS VALVE | Redundant - Single Stage | Redundant - Single Stage | Redundant - Single Stage |
| PILOT SAFETY DEVICE | | | |
| Type | Hot Surface Ignition | Hot Surface Ignition | Hot Surface Ignition |
| BURNERS — Type | Multiport Inshot | Multiport Inshot | Multiport Inshot |
| Number | 2 | 3 | 4 |
| POWER CONN. — V/Ph/Hz ④ | 115/1/60 | 115/1/60 | 115/1/60 |
| Ampacity (In Amps) | 4.7 | 8.3 | 9.4 |
| Max Overcurrent Protection (Amps) | 15 | 15 | 15 |
| PIPE CONN. SIZE (IN.) | 1/2 | 1/2 | 1/2 |
| DIMENSIONS | H x W x D | H x W x D | H x W x D |
| Crated (In.) | 41-3/4 x 19-1/2 x 30-1/2 | 41-3/4 x 19-1/2 x 30-1/2 | 41-3/4 x 19-1/2 x 30-1/2 |
| WEIGHT | | | |
| Shipping (Lbs.)/Net (Lbs) | 139 / 129 | 150 / 140 | 158 / 148 |

① Central Furnace heating designs are certified to ANSI Z21.47 / CSA 2.3.

② For U.S. applications, above input ratings (BTUH) are up to 2,000 feet, derate 4% per 1,000 feet for elevations above 2,000 feet above sea level. For Canadian applications, above input ratings (BTUH) are up to 4,500 feet, derate 4% per 1,000 feet for elevations above 4,500 feet above sea level.

③ Based on U.S. government standard tests.

④ The above wiring specifications are in accordance with National Electrical Code; however, installations must comply with local codes.

General Data

PRODUCT SPECIFICATIONS ①

| MODEL | AUC1C100A9481A | AUC1D100A9601A | AUC1D120A9601A |
|-----------------------------------|---------------------------|---------------------------|---------------------------|
| TYPE | Upflow / Horizontal | Upflow / Horizontal | Upflow / Horizontal |
| RATINGS ② | | | |
| Input BTUH | 100,000 | 100,000 | 120,000 |
| Capacity BTUH (ICS) ③ | 94,000 | 93,000 | 113,000 |
| AFUE | 92.0 | 92.0 | 92.0 |
| Temp. rise (Min.-Max.) °F. | 35 - 65 | 35 - 65 | 40 - 70 |
| BLOWER DRIVE | DIRECT | DIRECT | DIRECT |
| Diameter - Width (In.) | 10 x 10 | 11 x 10 | 11 x 10 |
| No. Used | 1 | 1 | 1 |
| Speeds (No.) | 4 | 4 | 4 |
| CFM vs. in. w.g. | See Fan Performance Table | See Fan Performance Table | See Fan Performance Table |
| Motor HP | 1/2 | 3/4 | 3/4 |
| R.P.M. | 1075 | 1100 | 1100 |
| Volts/Ph/Hz | 115/1/60 | 115/1/60 | 115/1/60 |
| COMBUSTION FAN - Type | Centrifugal | Centrifugal | Centrifugal |
| Drive - No. Speeds | Direct - 1 | Direct - 1 | Direct - 1 |
| Motor HP - RPM | 1/20 - 3450 | 1/20 - 3450 | 1/20 - 3450 |
| Volts/Ph/Hz | 115/1/60 | 115/1/60 | 115/1/60 |
| FLA | 0.71 | 0.71 | 0.71 |
| FILTER — Furnished? | No | No | No |
| Type Recommended | High Velocity | High Velocity | High Velocity |
| Hi Vel. (No.-Size-Thk.) | 1 - 20x25 - 1in. | 1 - 24x25 - 1in. | 1 - 24x25 - 1in. |
| VENT — Size (in.) | 2 Round | 2 Round | 3 Round |
| HEAT EXCHANGER | | | |
| Type-Fired | Aluminized Steel - Type I | Aluminized Steel - Type I | Aluminized Steel - Type I |
| -Unfired | | | |
| Gauge (Fired) | 20 | 20 | 20 |
| ORIFICES — Main | | | |
| Nat. Gas. Qty. — Drill Size | 5 — 45 | 5 — 45 | 6 — 45 |
| L.P. Gas Qty. — Drill Size | 5 — 56 | 5 — 56 | 6 — 56 |
| GAS VALVE | Redundant - Single Stage | Redundant - Single Stage | Redundant - Single Stage |
| PILOT SAFETY DEVICE | | | |
| Type | Hot Surface Ignition | Hot Surface Ignition | Hot Surface Ignition |
| BURNERS — Type | Multiport Inshot | Multiport Inshot | Multiport Inshot |
| Number | 5 | 5 | 6 |
| POWER CONN. — V/Ph/Hz ④ | 115/1/60 | 115/1/60 | 115/1/60 |
| Ampacity (In Amps) | 12.5 | 12.9 | 12.9 |
| Max Overcurrent Protection (Amps) | 15 | 15 | 15 |
| PIPE CONN. SIZE (IN.) | 1/2 | 1/2 | 1/2 |
| DIMENSIONS | H x W x D | H x W x D | H x W x D |
| Crated (In.) | 41-3/4 x 23 x 30-1/2 | 41-3/4 x 26-1/2 x 30-1/2 | 41-3/4 x 26-1/2 x 30-1/2 |
| WEIGHT | | | |
| Shipping (Lbs.)/Net (Lbs) | 171 / 160 | 197 / 185 | 205 / 193 |

① Central Furnace heating designs are certified to ANSI Z21.47 / CSA 2.3.

② For U.S. applications, above input ratings (BTUH) are up to 2,000 feet, derate 4% per 1,000 feet for elevations above 2,000 feet above sea level. For Canadian applications, above input ratings (BTUH) are up to 4,500 feet, derate 4% per 1,000 feet for elevations above 4,500 feet above sea level.

③ Based on U.S. government standard tests.

④ The above wiring specifications are in accordance with National Electrical Code; however, installations must comply with local codes.

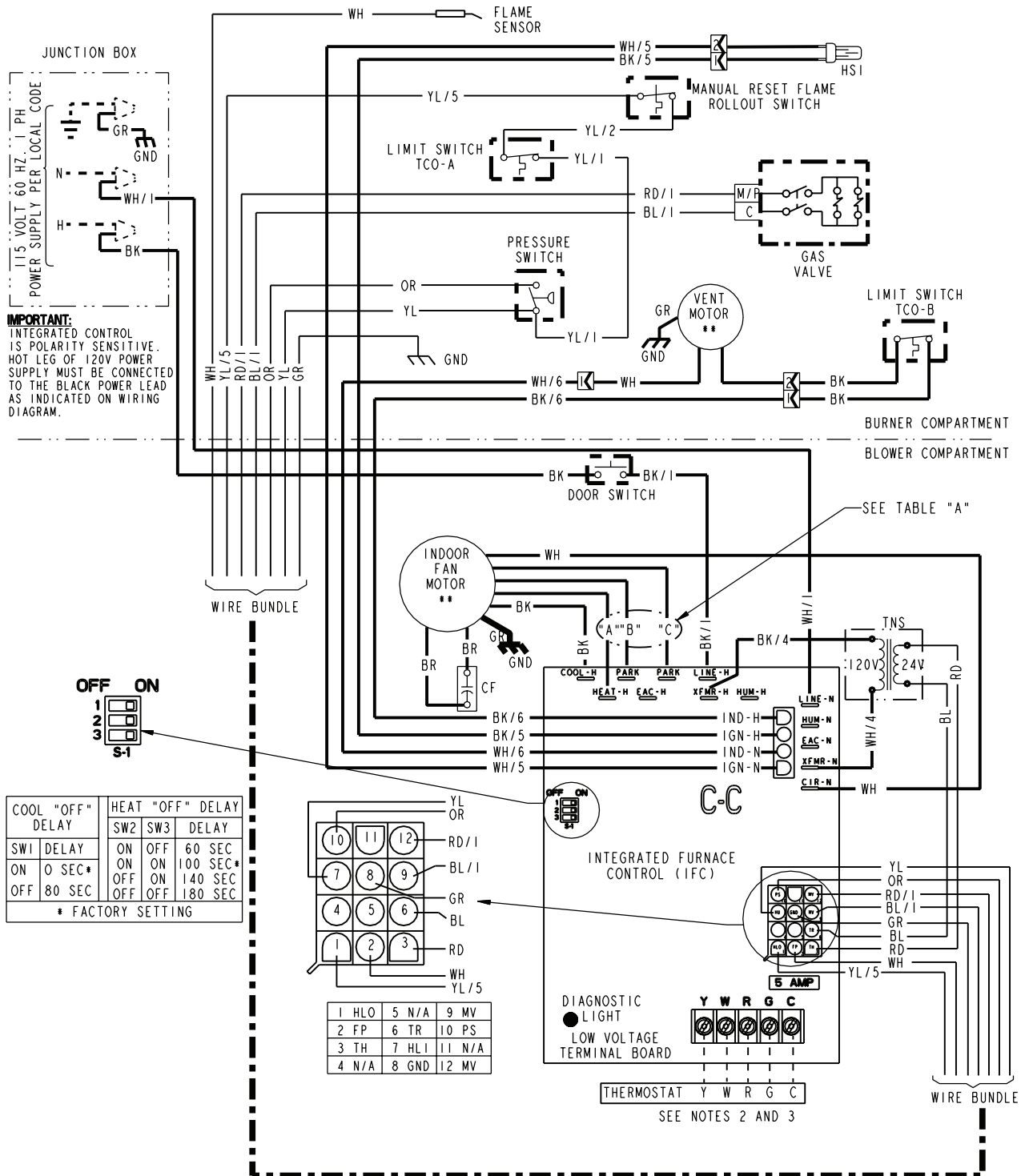
Performance Data

| FURNACE AIRFLOW (CFM) VS. EXTERNAL STATIC PRESSURE (INS. w.g.) | | | | | | | | | | |
|--|-----------------------|------|------|------|------|------|------|------|------|------|
| MODEL | SPEED TAP | 0.10 | 0.20 | 0.30 | 0.40 | 0.50 | 0.60 | 0.70 | 0.80 | 0.90 |
| AUC1B040A9241A | 4 - HIGH - Black | 1043 | 992 | 930 | 885 | 812 | 740 | 647 | 518 | 157 |
| | 3 - MED.-HIGH - Blue | 940 | 895 | 841 | 791 | 726 | 650 | 559 | 420 | 90 |
| | 2 - MED.-LOW - Yellow | 837 | 798 | 752 | 705 | 649 | 560 | 438 | 305 | 79 |
| | 1 - LOW - Red | 729 | 694 | 657 | 600 | 545 | 478 | 376 | 220 | 78 |
| AUC1B060A9361A | 4 - HIGH - Black | 1394 | 1359 | 1314 | 1260 | 1196 | 1122 | 1038 | 945 | 853 |
| | 3 - MED.-HIGH - Blue | 1250 | 1232 | 1202 | 1160 | 1106 | 1040 | 962 | 873 | 771 |
| | 2 - MED.-LOW - Yellow | 1102 | 1092 | 1069 | 1034 | 986 | 925 | 852 | 766 | 668 |
| | 1 - LOW - Red | 957 | 944 | 922 | 891 | 853 | 806 | 750 | 686 | 614 |
| AUC1B080A9421A | 4 - HIGH - Black | 1748 | 1683 | 1615 | 1544 | 1470 | 1393 | 1314 | 1232 | 1147 |
| | 3 - MED.-HIGH - Blue | 1375 | 1367 | 1347 | 1314 | 1268 | 1210 | 1139 | 1056 | 960 |
| | 2 - MED.-LOW - Yellow | 1178 | 1167 | 1147 | 1119 | 1082 | 1036 | 982 | 919 | 847 |
| | 1 - LOW - Red | 859 | 863 | 856 | 839 | 811 | 772 | 723 | 663 | 592 |
| AUC1C100A9481A | 4 - HIGH - Black | 2054 | 1980 | 1906 | 1826 | 1746 | 1649 | 1551 | 1428 | 1305 |
| | 3 - MED.-HIGH - Blue | 1932 | 1875 | 1818 | 1746 | 1673 | 1577 | 1481 | 1371 | 1260 |
| | 2 - MED.-LOW - Yellow | 1762 | 1720 | 1677 | 1615 | 1552 | 1463 | 1373 | 1266 | 1158 |
| | 1 - LOW - Red | 1558 | 1546 | 1533 | 1477 | 1421 | 1350 | 1278 | 1175 | 1071 |
| AUC1D100A9601A | 4 - HIGH - Black | 2411 | 2358 | 2304 | 2235 | 2165 | 2083 | 2001 | 1915 | 1828 |
| | 3 - MED.-HIGH - Blue | 2108 | 2083 | 2058 | 2007 | 1956 | 1893 | 1829 | 1754 | 1679 |
| | 2 - MED.-LOW - Yellow | 1772 | 1759 | 1745 | 1723 | 1700 | 1657 | 1613 | 1544 | 1475 |
| | 1 - LOW - Red | 1480 | 1477 | 1474 | 1458 | 1441 | 1414 | 1386 | 1327 | 1268 |
| AUC1D120A9601A | 4 - HIGH - Black | 2454 | 2406 | 2358 | 2310 | 2261 | 2184 | 2106 | 2017 | 1928 |
| | 3 - MED.-HIGH - Blue | 2105 | 2092 | 2078 | 2045 | 2012 | 1950 | 1887 | 1826 | 1765 |
| | 2 - MED.-LOW - Yellow | 1747 | 1742 | 1736 | 1720 | 1703 | 1677 | 1651 | 1593 | 1535 |
| | 1 - LOW - Red | 1445 | 1447 | 149 | 1440 | 1430 | 1400 | 1369 | 1325 | 1280 |

| CFM VS. TEMPERATURE RISE | | | | | | | | | | | | | | | | | |
|--------------------------|-----------------------------|-----|-----|-----|------|------|------|------|------|------|------|------|------|------|------|------|------|
| MODEL | Cubic Feet Per Minute (CFM) | | | | | | | | | | | | | | | | |
| | 600 | 700 | 800 | 900 | 1000 | 1100 | 1200 | 1300 | 1400 | 1500 | 1600 | 1700 | 1800 | 1900 | 2000 | 2100 | 2200 |
| AUC1B040A9241A | 56 | 48 | 42 | 37 | 33 | | | | | | | | | | | | |
| AUC1B060A9361A | | | | 56 | 50 | 45 | 42 | 39 | 36 | | | | | | | | |
| AUC1B080A9421A | | | | | | 61 | 56 | 51 | 48 | 44 | 42 | | | | | | |
| AUC1C100A9481A | | | | | | | | 64 | 60 | 56 | 52 | 49 | 46 | 44 | 42 | | |
| AUC1D100A9601A | | | | | | | | 64 | 60 | 56 | 52 | 49 | 46 | 44 | 42 | 40 | 38 |
| AUC1D120A9601A | | | | | | | | | | | 63 | 59 | 56 | 53 | 50 | 48 | 46 |

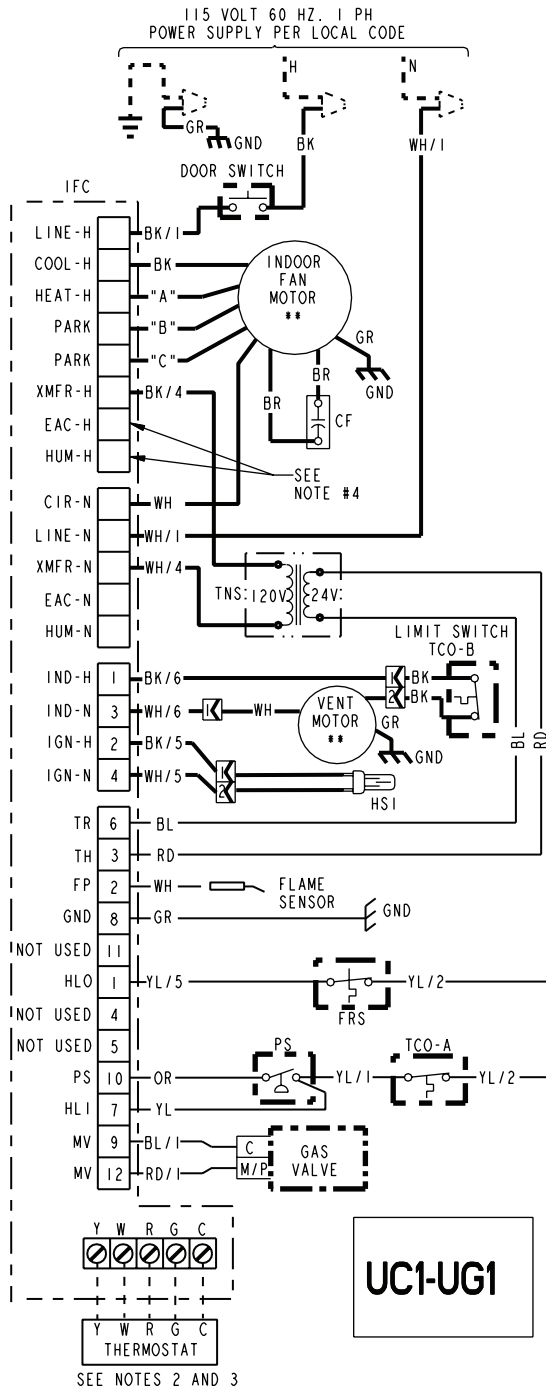
Electrical Data

SCHEMATIC DIAGRAMS FOR GAS FURNACES



Electrical Data

SCHEMATIC DIAGRAMS FOR GAS FURNACES



| SPEED TAPS FOR I.D. FAN MOTOR | | | |
|-------------------------------|----------|----------|----------|
| MODEL | HEAT "A" | PARK "B" | PARK "C" |
| #UC1B040A9241A* | YL | RD | BL |
| #UG1B040A9241A* | | | |
| #UC1B060A9361A* | BL | RD | YL |
| #UG1B060A9361A* | | | |
| #UC1B080A9421A* | BL | RD | YL |
| #UG1B080A9421A* | | | |
| #UC1C100A9481A* | BL | RD | YL |
| #UG1C100A9481A* | | | |
| #UC1D100A9601A* | YL | RD | BL |
| #UG1D100A9601A* | | | |
| #UC1D120A9601A* | BL | RD | YL |

RD = LOW BL = MED. HIGH
YL = MED. LOW BK = HIGH
* - MAY BE "T" or "A"
* - MAY BE A THROUGH Z

WARNING

HAZARDOUS VOLTAGE:
DISCONNECT ALL ELECTRICAL POWER INCLUDING REMOTE DISCONNECTS BEFORE SERVICING.
FAILURE TO DISCONNECT POWER BEFORE SERVICING CAN CAUSE SEVERE PERSONAL INJURY OR DEATH.

CAUTION

USE COPPER CONDUCTORS ONLY!
UNIT TERMINALS ARE NOT DESIGNED TO ACCEPT OTHER TYPES OF CONDUCTORS.
FAILURE TO DO SO MAY CAUSE DAMAGE TO THE EQUIPMENT.

INTEGRATED FURNACE CONTROL
REPLACE WITH PART CNT02891 OR CNT 02183 OR EQUIVALENT
INPUT: 25 VAC, 60 HZ.
XFMR SEC. CURRENT: 450 MA.
MV OUTPUT: 1.5 A @ 24 VAC
IND OUTPUT: 2.2 FLA, 3.5 LRA @ 120 VAC
CIRC. BLOWER OUTPUT: 14.5 FLA, 26 LRA @ 120 VAC
HUMIDIFIER & AIR CLEANER
MAX. LOAD: 1.0 A @ 120 VAC
IGNITER OUTPUT: .5 A @ 120 VAC

DIAGNOSTIC CODES

FLASHING SLOW: NORMAL - NO CALL FOR HEAT
FLASHING FAST: NORMAL - CALL FOR HEAT
CONTINUOUS ON: REPLACE IFC
CONTINUOUS OFF: CHECK POWER
2 FLASHES: EXTERNAL LOCKOUT (RETRIES OR RECYCLES EXCEEDED)
3 FLASHES: PRESSURE SWITCH ERROR
4 FLASHES: OPEN LIMIT DEVICE
5 FLASHES: FLAME SENSED WHEN NO FLAME SHOULD BE PRESENT
6 FLASHES: 115 VAC POWER REVERSED POLARITY OR POOR GROUNDING
7 FLASHES: GAS VALVE CIRCUIT ERROR
8 FLASHES: LOW FLAME SENSE SIGNAL

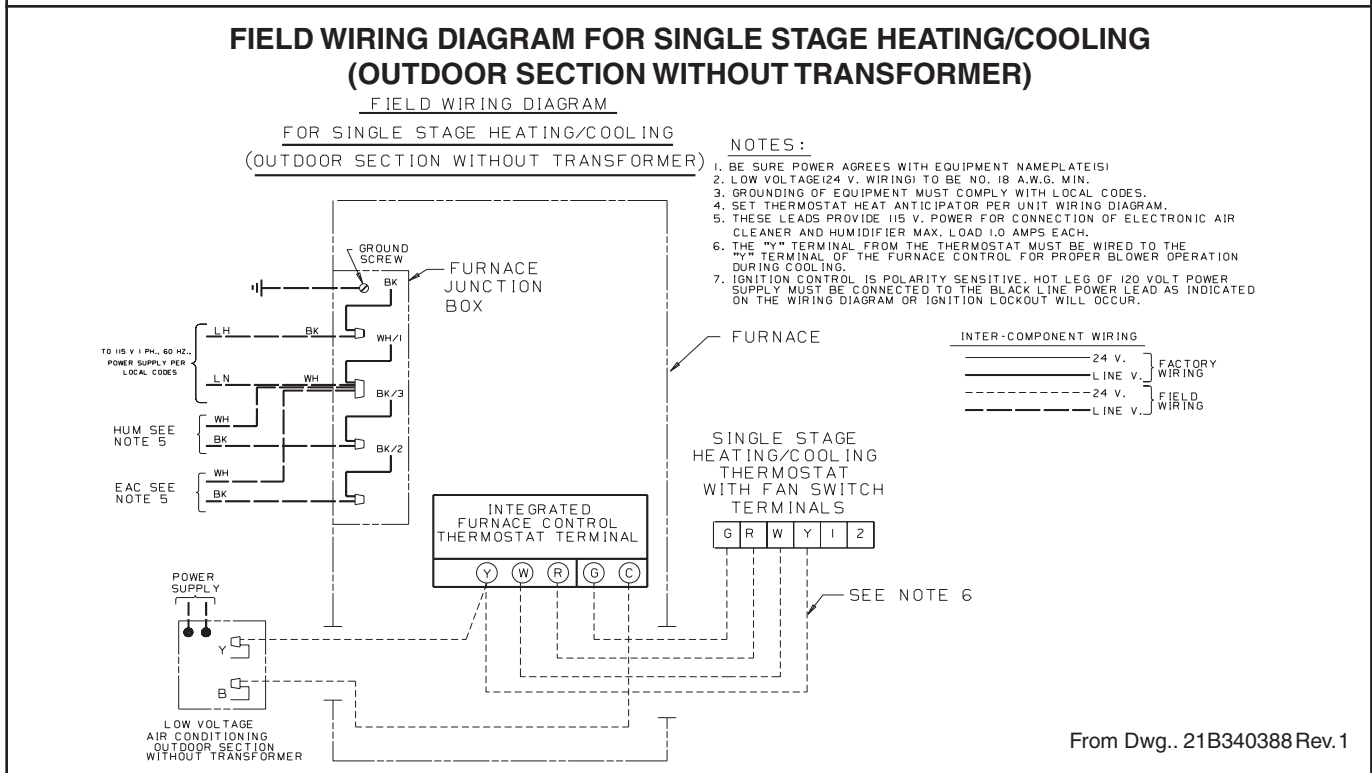
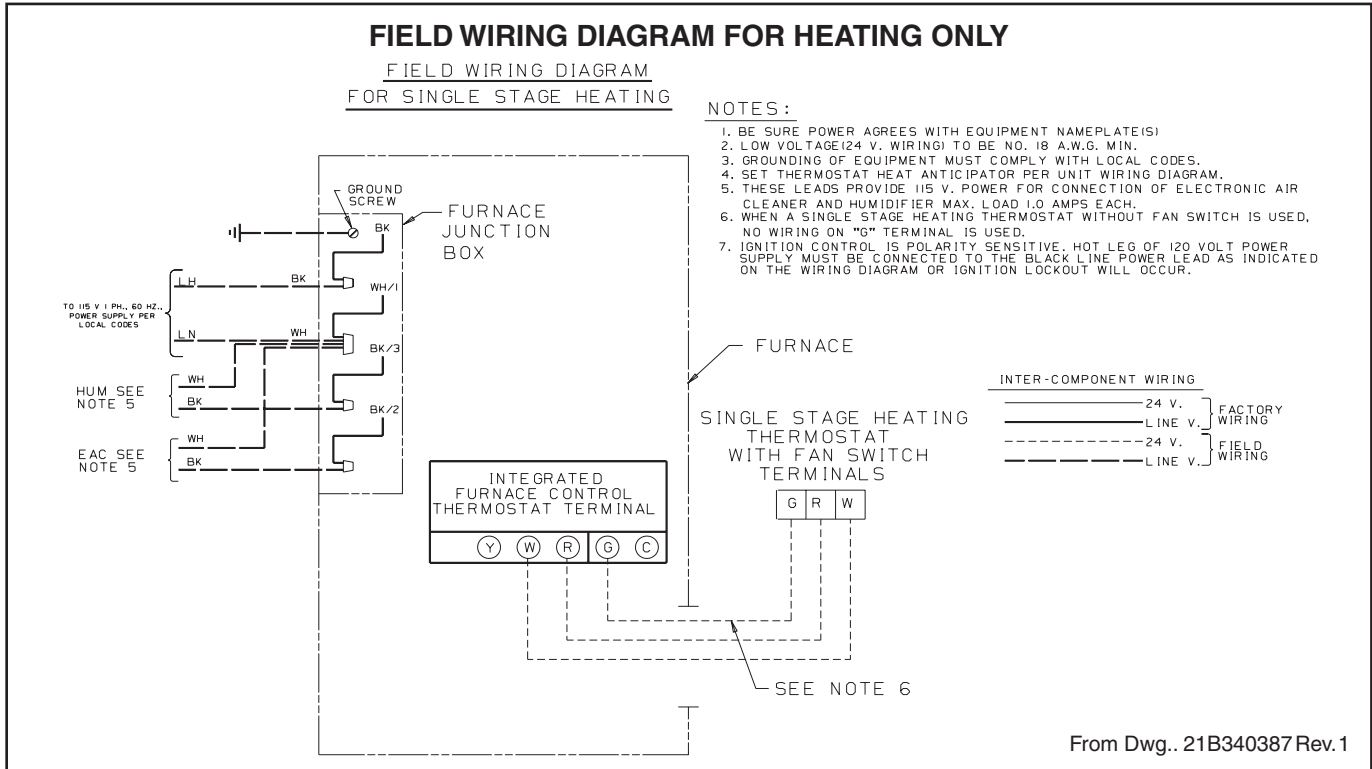
| | | | | | | | | | | | | | | | | | | | | | | | | | | | | |
|-----|--------------------------|-----|---------------------------------|--|----|-------|----|--------------|----|---------|----|-----------------|-----|--------|----|----------------|-----|--------|-----|-------------|-----|-------------------|--|--|-----|------------------|--|--|
| | TCO THERMAL CUT OUT | | LINE } FACTORY 24 v } WIRING | <table border="1"> <tr> <td>BK</td><td>BLACK</td> <td>GR</td><td>GREEN</td> </tr> <tr> <td>WH</td><td>WHITE</td> <td>BR</td><td>BROWN</td> </tr> <tr> <td>YL</td><td>YELLOW</td> <td>RD</td><td>RED</td> </tr> <tr> <td>OR</td><td>ORANGE</td> <td>BL</td><td>BLUE</td> </tr> </table> | BK | BLACK | GR | GREEN | WH | WHITE | BR | BROWN | YL | YELLOW | RD | RED | OR | ORANGE | BL | BLUE | | | | | | | | |
| BK | BLACK | GR | GREEN | | | | | | | | | | | | | | | | | | | | | | | | | |
| WH | WHITE | BR | BROWN | | | | | | | | | | | | | | | | | | | | | | | | | |
| YL | YELLOW | RD | RED | | | | | | | | | | | | | | | | | | | | | | | | | |
| OR | ORANGE | BL | BLUE | | | | | | | | | | | | | | | | | | | | | | | | | |
| | PS PRESSURE SWITCH | | LINE } FIELD 24 v } WIRING | | | | | | | | | | | | | | | | | | | | | | | | | |
| | FRS FLAME ROLLOUT SWITCH | | ** INTERNAL THERMAL PROTECTION | <table border="1"> <tr> <td>L</td><td>LINE</td> <td>TH</td><td>24 VAC (HOT)</td> </tr> <tr> <td>N</td><td>NEUTRAL</td> <td>TR</td><td>24 VAC (COMMON)</td> </tr> <tr> <td>GND</td><td>GROUND</td> <td>MV</td><td>MAIN GAS VALVE</td> </tr> <tr> <td>B/C</td><td>COMMON</td> <td>TNS</td><td>TRANSFORMER</td> </tr> <tr> <td>HLO</td><td>HIGH LIMIT OUTPUT</td> <td></td><td></td> </tr> <tr> <td>HLI</td><td>HIGH LIMIT INPUT</td> <td></td><td></td> </tr> </table> | L | LINE | TH | 24 VAC (HOT) | N | NEUTRAL | TR | 24 VAC (COMMON) | GND | GROUND | MV | MAIN GAS VALVE | B/C | COMMON | TNS | TRANSFORMER | HLO | HIGH LIMIT OUTPUT | | | HLI | HIGH LIMIT INPUT | | |
| L | LINE | TH | 24 VAC (HOT) | | | | | | | | | | | | | | | | | | | | | | | | | |
| N | NEUTRAL | TR | 24 VAC (COMMON) | | | | | | | | | | | | | | | | | | | | | | | | | |
| GND | GROUND | MV | MAIN GAS VALVE | | | | | | | | | | | | | | | | | | | | | | | | | |
| B/C | COMMON | TNS | TRANSFORMER | | | | | | | | | | | | | | | | | | | | | | | | | |
| HLO | HIGH LIMIT OUTPUT | | | | | | | | | | | | | | | | | | | | | | | | | | | |
| HLI | HIGH LIMIT INPUT | | | | | | | | | | | | | | | | | | | | | | | | | | | |
| | FP FLAME SENSOR | | CF CAPACITOR | | | | | | | | | | | | | | | | | | | | | | | | | |
| | CHASSIS GROUND | | COIL | | | | | | | | | | | | | | | | | | | | | | | | | |
| | HSI HOT SURFACE IGNITER | | | | | | | | | | | | | | | | | | | | | | | | | | | |
| | DOOR SWITCH | | | | | | | | | | | | | | | | | | | | | | | | | | | |

WIRE COLOR
BK/1 NUMBER 10 (IF ANY)

NOTES:

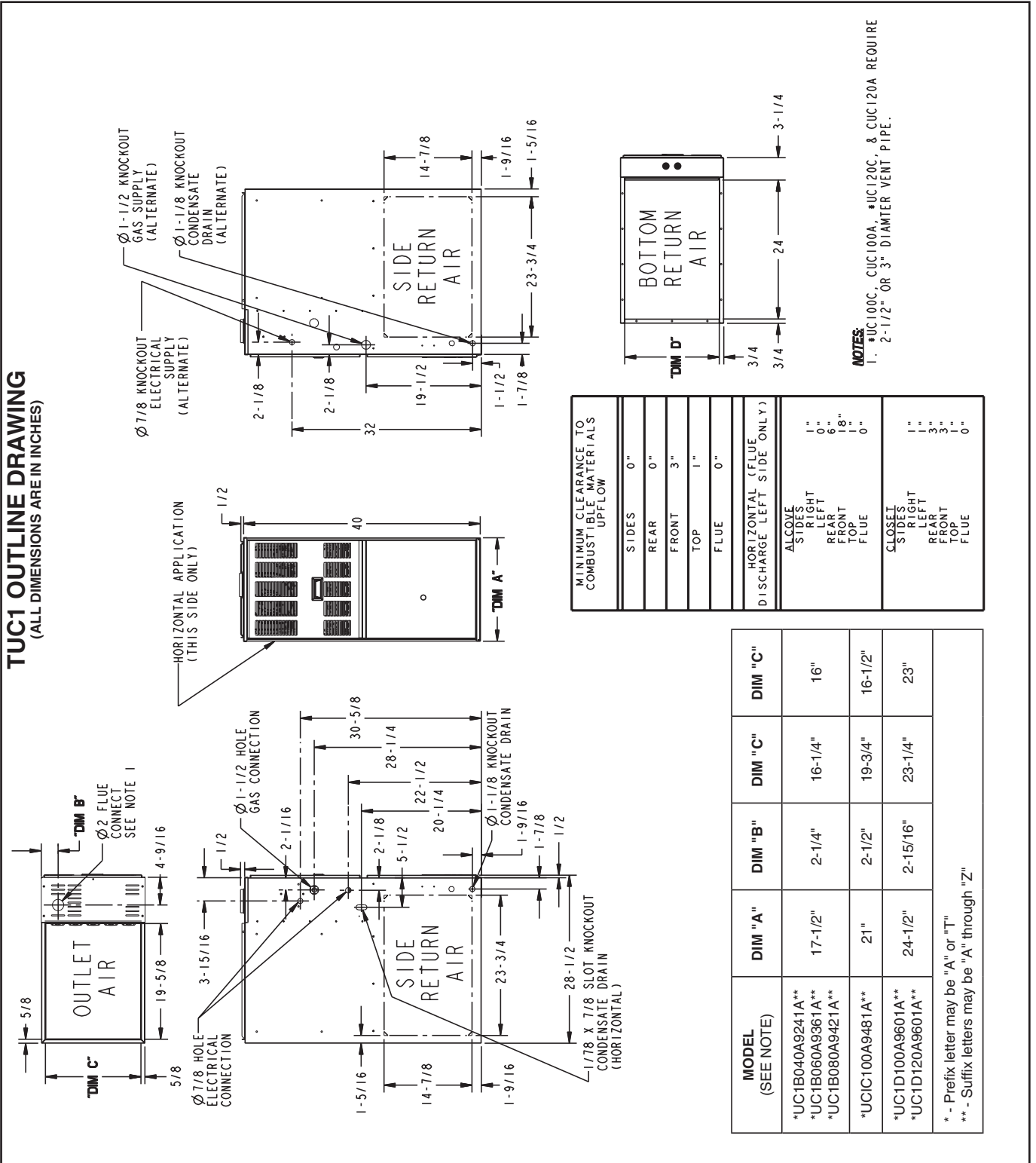
- IF ANY OF THE ORIGINAL WIRING AS SUPPLIED WITH THIS FURNACE MUST BE REPLACED, IT MUST BE WITH WIRE HAVING A TEMPERATURE RATING OF AT LEAST 105 C.
- THERMOSTAT HEAT ANTICIPATOR SETTING: .38 AMPS
- FOR PROPER OPERATION OF COOLING SPEED, "Y" TERMINAL MUST BE CONNECTED TO THE ROOM THERMOSTAT.
- THESE TERMINALS PROVIDE 120V POWER CONNECTIONS FOR ELECTRONIC AIR CLEANER (EAC) AND HUMIDIFIER (HUM). MAX. LOAD: 1.0 AMPS EACH.

Field Wiring



Dimensions

TUC1 OUTLINE DRAWING (ALL DIMENSIONS ARE IN INCHES)



| MINIMUM CLEARANCE TO COMBUSTIBLE MATERIALS UPFLOW | |
|---|-----|
| SIDES | 0" |
| REAR | 0" |
| FRONT | 3" |
| TOP | 1" |
| FLUE | 0" |
| HORIZONTAL (FLUE DISCHARGE LEFT SIDE ONLY) | |
| ALCOVE | |
| RIGHT | 1" |
| LEFT | 0" |
| REAR | 6" |
| FRONT | 18" |
| TOP | 18" |
| FLUE | 0" |
| CLOSEST SIDES | |
| LEFT | 1" |
| REAR | 3" |
| FRONT | 3" |
| TOP | 1" |
| FLUE | 0" |

| MODEL (SEE NOTE) | DIM "A" | DIM "B" | DIM "C" | DIM "C" |
|------------------|---------|----------|---------|---------|
| *UC1B040A9241A** | 17-1/2" | 2-1/4" | 16-1/4" | 16" |
| *UC1B060A9861A** | 21" | 2-1/2" | 19-3/4" | 16-1/2" |
| *UC1B080A9421A** | 24-1/2" | 2-15/16" | 23-1/4" | 23" |

* - Prefix letter may be "A" or "I"
** - Suffix letters may be "A" through "Z"

NOTES:
1. *UC100C, *CUC100A, *UC120C, & CUC120A REQUIRE 2-1/2" OR 3" DIAMETER VENT PIPE.

American Standard

HEATING & AIR CONDITIONING

*American Standard
Heating & Air Conditioning
6200 Troup Highway
Tyler, TX 75707*

*For more information contact
your local dealer (distributor)*



American Standard Heating & Air Conditioning has a policy of continuous product and product data improvement, it reserves the right to change design and specifications without notice.